

Gas filters GFK

TECHNICAL INFORMATION

- For the protection of downstream devices against blockage
- Very high throughput
- High purification efficiency
- Long service life
- Easy-to-replace filter pad



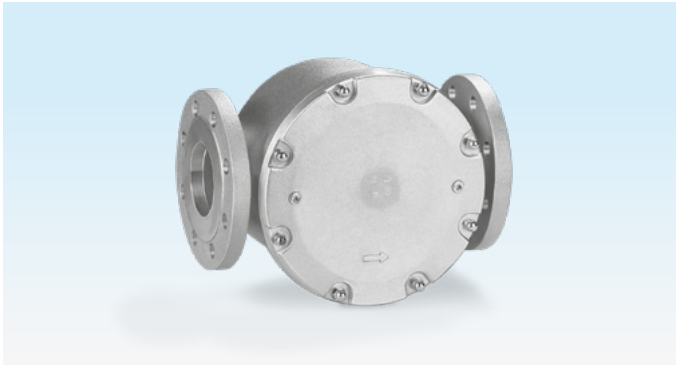
Contents

Contents	2
1 Application	3
1.1 Application examples	3
2 Certification	5
3 Function	6
4 Flow rate	7
4.1 Calculating the nominal size	8
5 Selection	9
5.1 GFK	9
5.2 GFK..T	9
5.3 ProFi	9
5.4 Type code	9
5.4.1 GFK	9
5.4.2 GFK..T	9
6 Project planning information	10
6.1 Installation	10
7 Accessories	11
7.1 Filter pads with a separation rate of 50 µm	11
7.2 Filter pads with a special separation rate of 10 µm ..	11
8 Technical data	12
8.1 Dimension GFK 15–250	13
8.2 Dimensions GFK 15–100T	14
9 Maintenance cycles	15
Fore more information	16

1 Application



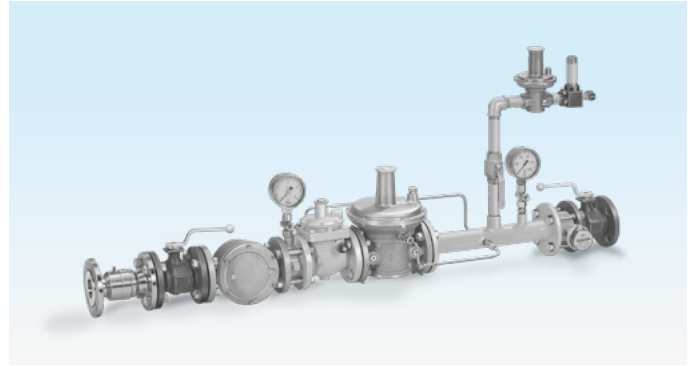
GFK..R



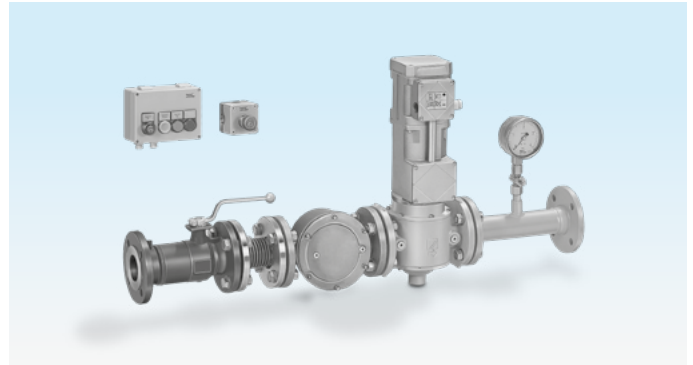
GFK..F

Suitable for filtration of the fuel gas and combustion air supply to all gas consuming appliances.

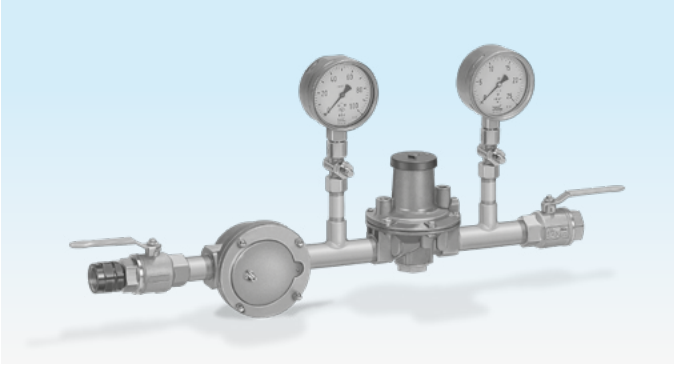
1.1 Application examples



Gas pressure control system with GFK..F



Main gas shut-off device with GFK..F



Pressure control system with GFK..R

2 Certification

Certificates – see www.docuthek.com

EU certified



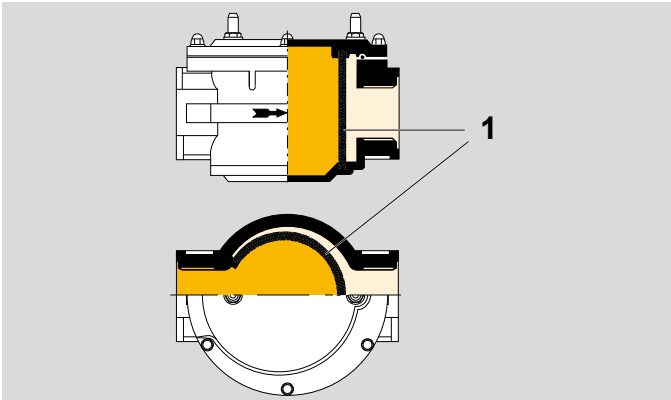
- (EU) 2016/426 (GAR) – Gas Appliances Regulation
- 2014/68/EU (PED), Pressure Equipment Directive
- EN 13611:2015+AC:2016

Eurasian Customs Union



The products GFK meet the technical specifications of the Eurasian Customs Union.

3 Function

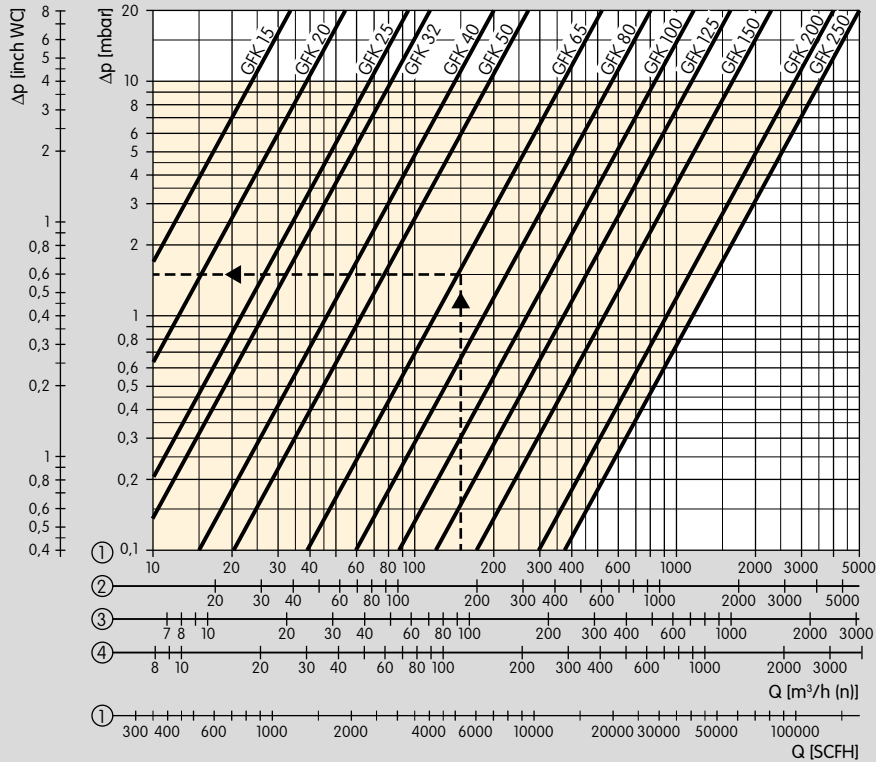


Gas filter GFK is used for cleaning fuel gases and air.

With clean filter pad **1** with a standard separation rate of $50\ \mu\text{m}$, the recommended pressure gradient over the filter pad of 10 mbar (4 "WC) and a flow velocity of 20 m/s at the inlet should not be exceeded.

The pressure gradient will increase with soiling due to the gas. The filter pad must be changed at a pressure gradient $\geq 20\ \text{mbar}$ (8 "WC), see operating instructions. Otherwise, dust may be forced through the pad.

4 Flow rate



- 1 = natural gas ($\rho = 0.80 \text{ kg/m}^3$)
- 2 = town gas ($\rho = 0.58 \text{ kg/m}^3$)
- 3 = propane ($\rho = 2.01 \text{ kg/m}^3$)
- 4 = air ($\rho = 1.29 \text{ kg/m}^3$)

Recommended pressure gradient for filter design:
 $\leq 10 \text{ mbar}$.

At the inlet of the filter, the flow velocity of 20 m/s must not be exceeded.

Reading instructions:

When determining the pressure loss, operating cubic metres must be entered. Then the pressure loss Δp read must be multiplied by the absolute pressure in bar (positive pressure + 1) to account for the change in the medium's density.

Example:

Inlet pressure p_{u} (positive pressure) = 4 bar,

gas type: natural gas,

operating flow rate $Q_{\text{b}} = 150 \text{ m}^3/\text{h}$ (b),

selected filter: GFK 65

Δp in the diagram = 1,5 mbar,

$\Delta p = 1,5 \text{ mbar} \times (1 + 4) = 7,5 \text{ mbar}$

The GFK 65 has been selected correctly

4.1 Calculating the nominal size

A web app selecting the correct product is available at www.adlatus.org.

5 Selection

5.1 GFK

Option	GFK..R	GFK 40–100F	GFK 125–150F	GFK 200–250F
DN	15, 20, 25, 32 , 40, 50, 65	40, 50, 65, 80, 100	125, 150	200, 250
Pipe connection	R	F	F	F
Inlet pressure	10 , 40	10, 60	10, 40	10
Pressure test point	-6	-6	-3	-3

Order example

GFK 32R10-6

5.2 GFK..T

Option	GFK..N	GFK..A
DN	15, 20, 25, 40 , 50, 65	50, 65, 80, 100
Pipe connection	N	A
Inlet pressure	40	40
Pressure test point	-3	-3

Order example

GFK 40TN40-3

5.3 ProFi

A web app selecting the correct product is available at www.adlatus.org.

5.4 Type code

5.4.1 GFK

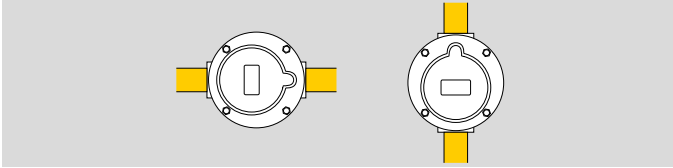
GFK	Gas filter
15-250	Nominal size
R	Rp internal thread
F	Flange to ISO 7005
10	p_U max. 1 bar
40	p_U max. 4 bar
60	p_U max. 6 bar
-3	Screw plug at the inlet and outlet
-6	Pressure test point at the inlet and outlet

5.4.2 GFK..T

GFK	Gas filter
15-100	Nominal size
T	T-product
A	ANSI flange
N	NPT internal thread
40	p_U max. 60 psig (4 bar)
-3	Screw plug at the inlet and outlet

6 Project planning information

6.1 Installation



Installation in horizontal and vertical pipework. The housing cover should be detachable at the side so that no dirt gets into the housing during maintenance.

7 Accessories

7.1 Filter pads with a separation rate of 50 µm

Spare parts set GFK 15/20, 10 filter pads and 10 O-rings:
Order No.: 71935010.

Spare parts set GFK 25/32, 10 filter pads and 10 O-rings:
Order No.: 71937010.

Spare parts set GFK 40/50, 5 filter pads and 5 O-rings:
Order No.: 71939010.

Spare parts set GFK 65, 1 filter pad and 1 O-ring: Order
No.: 74923284.

Spare parts set GFK 80, 1 filter pad and 1 O-ring: Order
No.: 74923285.

Spare parts set GFK 100, 1 filter pad and 1 O-ring: Order
No.: 74923286.

Filter pad GFK 125: Order No.: 35448581.

O-ring 308x8 for GFK 125/150: Order No.: 03110013.

Filter pad GFK 150: Order No.: 35448583.

O-ring 308x8 for GFK 125/150: Order No.: 03110013.

Filter pad GFK 200/250: Order No.: 35448584.

O-ring 430x8 for GFK 200/250: Order No.: 03109164.

7.2 Filter pads with a special separation rate of 10 µm

For air or inert gases only.

Spare parts set GFK 15+20 S10: 10 filter pads and 10
O-rings: Order No.: 74919810.

Spare parts set GFK 25+32 S10: 10 filter pads and 10
O-rings: Order No.: 74919811.

Spare parts set GFK 40+50 S10: 5 filter pads and 5 O-rings:
Order No.: 74919812.

Spare parts set GFK 65..S10: 1 filter pad and 1 O-ring: Or-
der No.: 74923281.

Spare parts set GFK 80..S10: 1 filter pad and 1 O-ring: Or-
der No.: 74923282.

Spare parts set GFK 100..S10: 1 filter pad and 1 O-ring: Or-
der No.: 74923283.

8 Technical data

Gas type: natural gas, town gas, LPG (gaseous), biogas and air.

Max. inlet pressure p_U :

GFK 15 to 250: 1 bar,

GFK 15R to 65R, GFK 15TN to 100TN: 4 bar (60 psig),

GFK 40F to 100F: 6 bar.

Ambient temperature: -15 to +80°C (5 to 176°F).

Continuous operation at high temperatures accelerates the ageing of elastomer materials.

Version to DIN 3386

Housing

GFK 15 to 100 made from AISi.

GFK 125 to 250 made from sheet steel.

GFK..R: Rp internal thread connection to ISO 7-1.

GFK..F: flanged connection to ISO 7005, PN 16.

GFK..N: NPT internal thread.

GFK..A: ANSI 150 flanged connection.

Filter pad: polypropylene fleece (standard 50 µm).

Pressure test points on the cover

GFK 15 to 100:

inlet side: Rp 1/8 pressure test nipple,

outlet side: Rp 1/8 pressure test nipple.

GFK 125 to 250:

inlet side: Rp 1/8 plug,

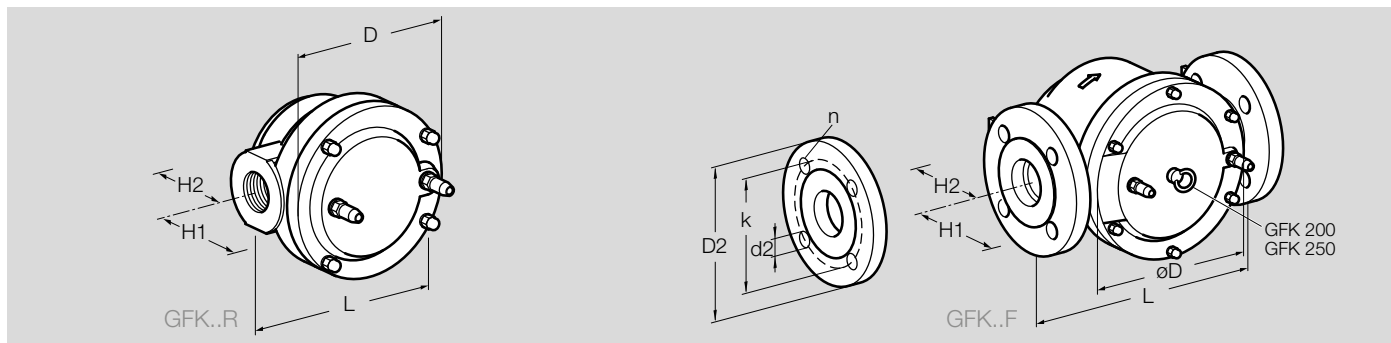
outlet side: Rp 1/8 plug.

GFK 15T to 100T:

inlet side: Rp 1/8 plug,

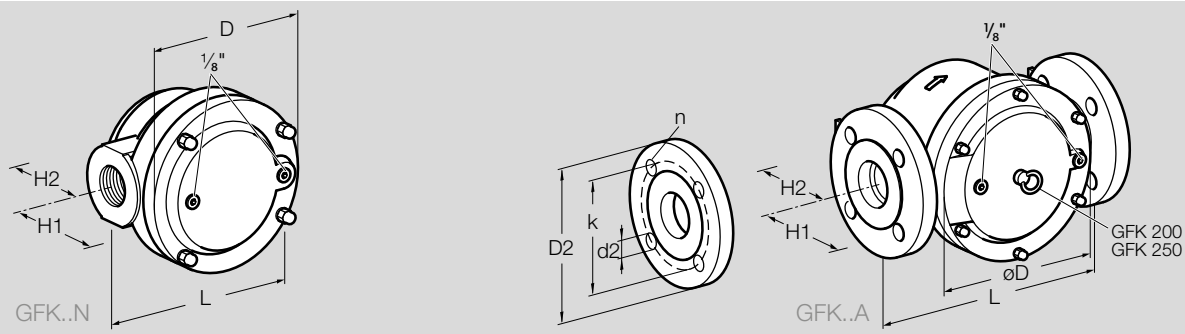
outlet side: Rp 1/8 plug.

8.1 Dimension GFK 15–250



Type	DN	Conne- ction	L [mm]	D [mm]	H1 [mm]	H2 [mm]	D2 [mm]	k [mm]	d2 [mm]	n	$P_{U,max.}$ [bar]	Weight [kg]	Filter [mm x mm]
GFK 15	15	Rp ½	92	88	69	33	–	–	–	–	1 + 4	0.4	127 x 56
GFK 20	20	Rp ¾	92	88	69	33	–	–	–	–	1 + 4	0.4	127 x 56
GFK 25	25	Rp 1	135	134	69	43	–	–	–	–	1 + 4	0.8	210 x 75
GFK 32	32	Rp 1¼	135	134	69	43	–	–	–	–	1 + 4	0.8	210 x 75
GFK 40	40	Rp 1½	208	182	88	64	–	–	–	–	1 + 4	2.0	323 x 114
GFK 50	50	Rp 2	208	182	88	64	–	–	–	–	1 + 4	2.0	323 x 114
GFK 65	65	Rp 2½	220	182	119	96	–	–	–	–	1 + 4	3.3	323 x 177
GFK 40	40	40	256	182	88	63	150	110	18	4	1 + 6	3.9	323 x 114
GFK 50	50	50	250	182	88	63	165	125	18	4	1 + 6	4.2	323 x 114
GFK 65	65	65	250	182	118	97	185	145	18	4	1 + 6	5.5	323 x 177
GFK 80	80	80	330	263	133	87	200	160	18	8	1 + 6	9.6	489 x 177
GFK 100	100	100	350	263	137	120	228	180	18	8	1 + 6	11.5	473 x 209
GFK 125	125	125	470	364	133	125	250	210	18	8	1 + 4	45.0	675 x 226
GFK 150	150	150	470	364	181	167	285	240	23	8	1 + 4	55.0	675 x 316
GFK 200	200	200	630	500	310	202	340	295	23	12	1	120.0	908 x 417
GFK 250	250	250	630	500	310	202	405	355	27	12	1	130.0	908 x 417

8.2 Dimensions GFK 15–100T



Type	NPT ANSI	DN	L inch	D inch	H1 inch	H2 inch	D2 inch	k inch	d2 inch	n	Weight lbs	Filter pad mm ²
GFK 15TN	½	15	3.26	3.46	2.01	1.23	–	–	–	–	0.8	9.3
GFK 20TN	¾	20	3.62	3.46	2.01	1.23	–	–	–	–	0.8	9.3
GFK 25TN	1	25	5.35	5.28	2.20	1.73	–	–	–	–	1.7	21
GFK 40TN	1½	40	8.19	7.17	2.99	2.52	–	–	–	–	4.4	52
GFK 50TN	2	50	8.19	7.17	2.99	2.52	–	–	–	–	4.9	52
GFK 65TN	2½	65	8.66	7.17	4.17	3.78	–	–	–	–	7.3	89
GFK 50TA	2	50	9.84	7.17	2.99	2.48	5.98	4.76	0.75	4	9.3	52
GFK 65TA	2½	65	9.84	7.17	4.17	3.82	7.01	5.51	0.75	4	12.1	84
GFK 80TA	3	80	13.0	10.3	4.72	3.42	7.52	5.98	0.75	4	21.2	122
GFK 100TA	4	100	13.8	10.3	4.92	4.72	9.02	7.52	0.75	8	25.4	145

9 Maintenance cycles

Change filter pad once per annum, twice per annum for biologically produced methane, or in case the pressure differential on the gas filter has risen by 100 % compared to when new. Example: if the filter is designed for a recommended pressure gradient of max. 10 mbar, $\Delta p_{\max.} = 20$ mbar should not be exceeded.

Fore more information

The Honeywell Thermal Solutions family of products includes Honeywell Combustion Safety, Eclipse, Exothermics, Hauck, Kromschroder and Maxon. To learn more about our products, visit ThermalSolutions.honeywell.com or contact your Honeywell Sales Engineer.

Elster GmbH
Strothweg 1, D-49504 Lotte
T +49 541 1214-0
hts.lotte@honeywell.com
www.kromschroeder.com

Global centralized service deployment coordination:
T +49 541 1214-365 or -555
hts.service.germany@honeywell.com

© 2019 Elster GmbH

We reserve the right to make technical modifications in the interests of progress.

Honeywell

**krom
schroder**